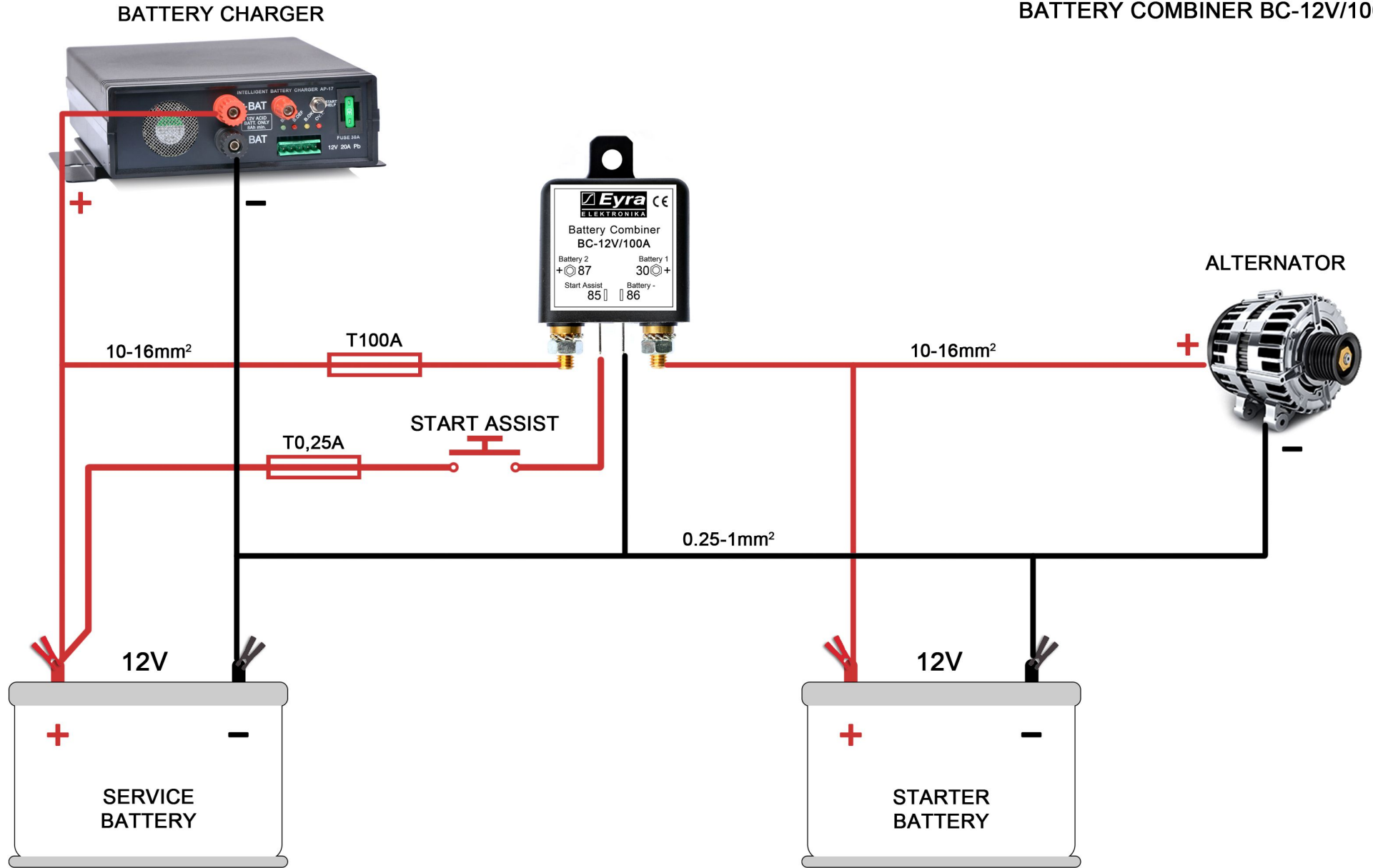


CONNECTION DIAGRAM
BATTERY COMBINER BC-12V/100A



note: wire 10mm² for length* 3m
wire 16mm² for length* 20m
*(total wire length of both + poles of battery)